



SMD Shielded Power Choke Coils - SDC4D28 SERIES

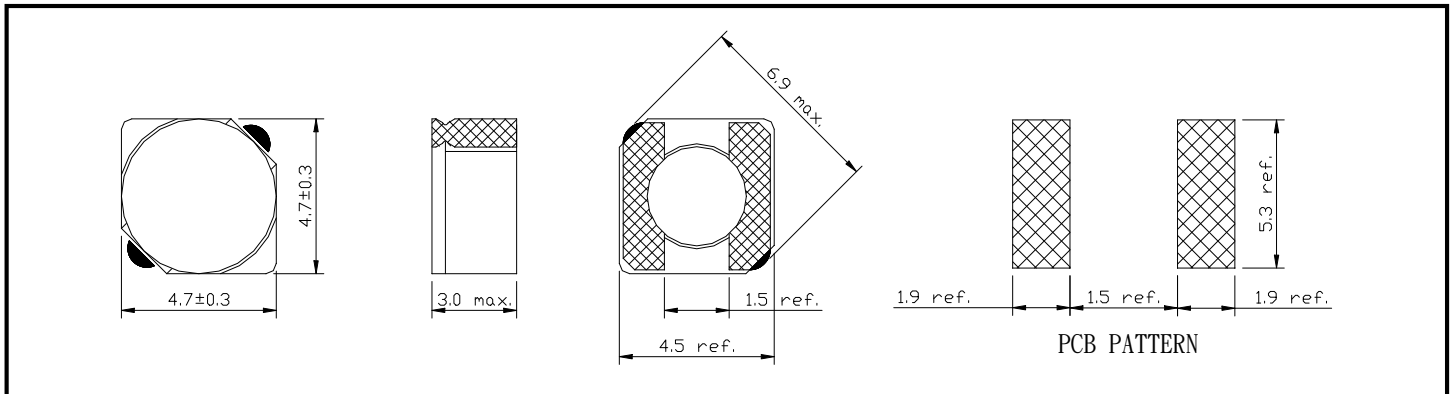


PART NUMBERING SYSTEM

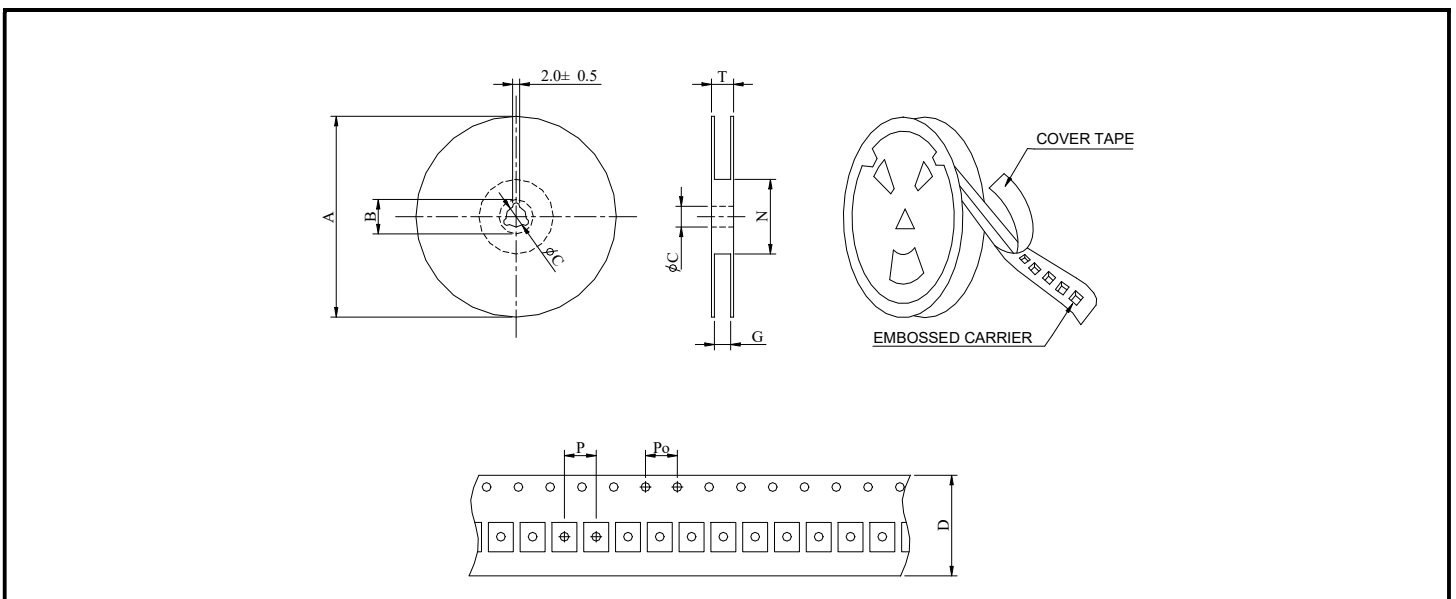
| | | | | | |
|------------|-------------|---|-------------|---|-----------|
| SDC | 4D28 | — | 220N | — | LF |
| TYPE | DIMENSIONS | | INDUCTANCE | | LEAD FREE |

SHAPES AND DIMENSIONS

UNIT : mm



PACKAGING SPECIFICATION



| SERIES | STAYLE | Q' TY (PCS) | DIMENSIONS (m/m) | | | | | | | | |
|---------|--------|----------------|------------------|-------|-------|----|----------------|----------------|---|----|------|
| | | | A | B±0.8 | C±0.5 | D | G ⁺ | N ⁰ | P | Po | T |
| SDC4D28 | 13-16 | 2000 | 330 | 21 | 13 | 16 | 18 | 50 | 8 | 4 | 22.4 |

SMD Shielded Power Choke Coils - SDC4D28 SERIES



SPECIFICATION TABLE

| PART NUMBER | INDUCTANCE (μ H) | DCR (m Ω) (Max.) | IDC (A) | TEST FREQ. (Freq.) |
|-----------------|--------------------------|-----------------------------|--------------|-------------------------|
| SDC4D28-1R2N-LF | 1.2 \pm 30% | 23.6 | 2.56 | 100KHz |
| SDC4D28-1R8N-LF | 1.8 \pm 30% | 27.5 | 2.20 | 100KHz |
| SDC4D28-2R2N-LF | 2.2 \pm 30% | 31.3 | 2.04 | 100KHz |
| SDC4D28-2R7N-LF | 2.7 \pm 30% | 43.3 | 1.60 | 100KHz |
| SDC4D28-3R3N-LF | 3.3 \pm 30% | 49.2 | 1.57 | 100KHz |
| SDC4D28-3R9N-LF | 3.9 \pm 30% | 64.8 | 1.44 | 100KHz |
| SDC4D28-4R7N-LF | 4.7 \pm 30% | 72.0 | 1.32 | 100KHz |
| SDC4D28-5R6N-LF | 5.6 \pm 30% | 100.9 | 1.17 | 100KHz |
| SDC4D28-6R8N-LF | 6.8 \pm 30% | 108.9 | 1.12 | 100KHz |
| SDC4D28-8R2N-LF | 8.2 \pm 30% | 117.5 | 1.04 | 100KHz |
| SDC4D28-100N-LF | 10 \pm 30% | 128.3 | 1.00 | 100KHz |
| SDC4D28-120N-LF | 12 \pm 30% | 131.6 | 0.84 | 100KHz |
| SDC4D28-150N-LF | 15 \pm 30% | 149.0 | 0.76 | 100KHz |
| SDC4D28-180N-LF | 18 \pm 30% | 166.0 | 0.72 | 100KHz |
| SDC4D28-220M-LF | 22 \pm 20% | 235.0 | 0.70 | 100KHz |
| SDC4D28-270M-LF | 27 \pm 20% | 261.0 | 0.58 | 100KHz |
| SDC4D28-330M-LF | 33 \pm 20% | 331.3 | 0.56 | 100KHz |
| SDC4D28-390M-LF | 39 \pm 20% | 383.7 | 0.50 | 100KHz |
| SDC4D28-470M-LF | 47 \pm 20% | 587.0 | 0.48 | 100KHz |
| SDC4D28-560M-LF | 56 \pm 20% | 624.5 | 0.41 | 100KHz |
| SDC4D28-680M-LF | 68 \pm 20% | 699.0 | 0.35 | 100KHz |
| SDC4D28-820M-LF | 82 \pm 20% | 914.8 | 0.32 | 100KHz |
| SDC4D28-101M-LF | 100 \pm 20% | 1020.0 | 0.29 | 100KHz |
| SDC4D28-121M-LF | 120 \pm 20% | 1270.0 | 0.27 | 100KHz |
| SDC4D28-151M-LF | 150 \pm 20% | 1350.0 | 0.24 | 100KHz |
| SDC4D28-181M-LF | 180 \pm 20% | 1540.0 | 0.22 | 100KHz |

- Isat : DC current at which the inductance drops 35% (typ) from its value without current.
- Irms: The actual current when temperature of coil becomes $\Delta 40^{\circ}\text{C}$. ($T_a = +25^{\circ}\text{C}$)
- Operating temperature range -40°C to $+125^{\circ}\text{C}$, Electrical specifications at 25°C .